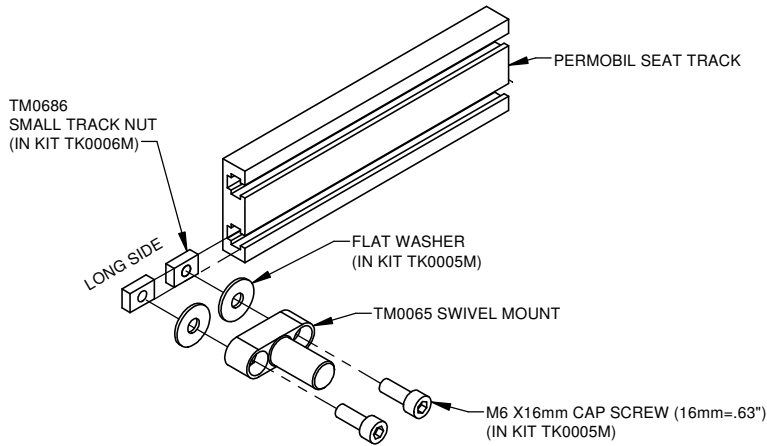
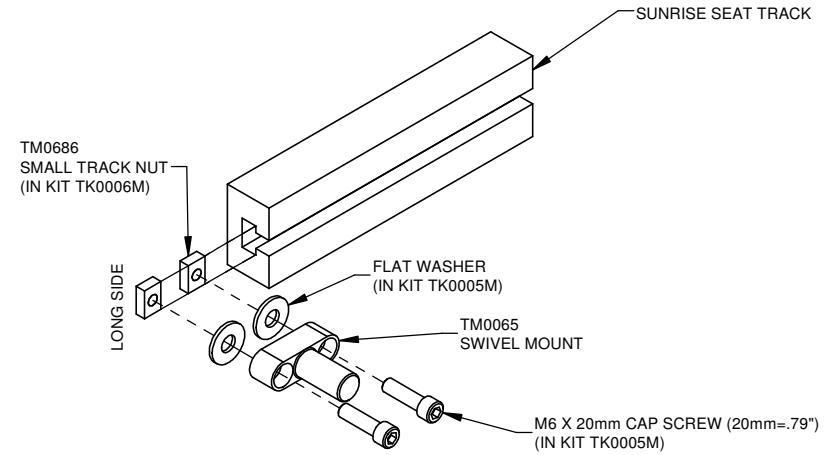


INSTRUCTIONS - SRASF (WITH M6 THREAD TRACK NUTS)

1A. ASSEMBLE & POSITION SWIVEL MOUNT TO SEAT TRACK.
SEE SHEET 2 FOR MERITS, MOTION, AND QUANTUM SEATS
SEE SHEET 3 FOR ROUND TUBE SEAT FRAME MOUNTING



PERMOBIL

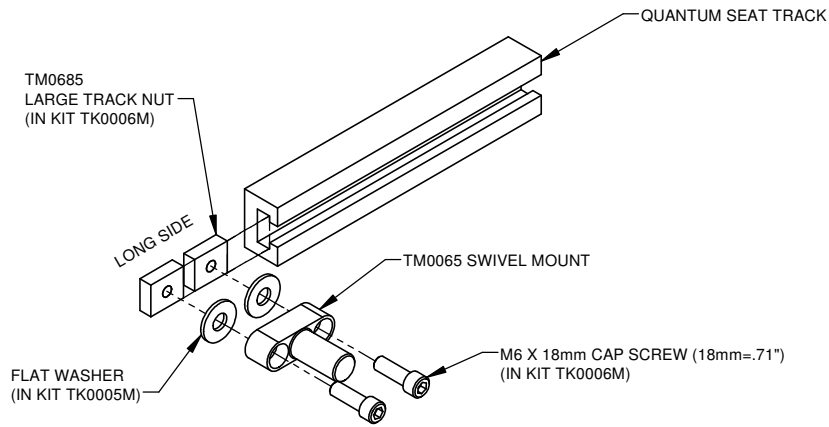


SUNRISE

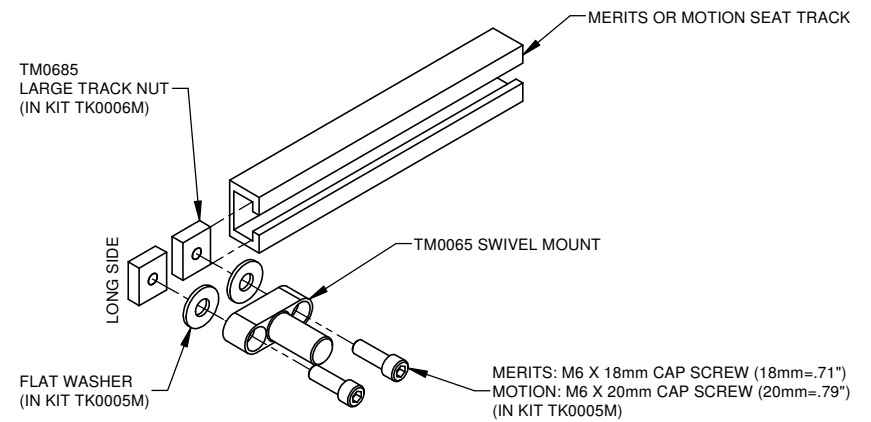
1. SELECT TRACK NUT & CAP SCREWS AS SHOWN FOR SPECIFIC TRACK.
2. INSERT CAP SCREWS INTO SWIVEL MOUNT AS SHOWN.
3. THREAD TRACK NUTS ONTO CAP SCREWS 1 TO 1 1/2 TURNS.
4. SLIDE TRACK NUTS INTO TRACK SLOTS AND POSITION SWIVEL CLAMP AS REQUIRED.
5. TIGHTEN CAP SCREWS TO SECURE SWIVEL MOUNT TO TRACK.

INSTRUCTIONS - SRASF (WITH M6 THREAD TRACK NUTS)

1B. ASSEMBLE & POSITION SWIVEL MOUNT TO SEAT TRACK.
SEE SHEET 1 FOR PERMOBIL AND SUNRISE SEATS.
SEE SHEET 3 FOR ROUND TUBE SEAT FRAME MOUNTING.



QUANTUM

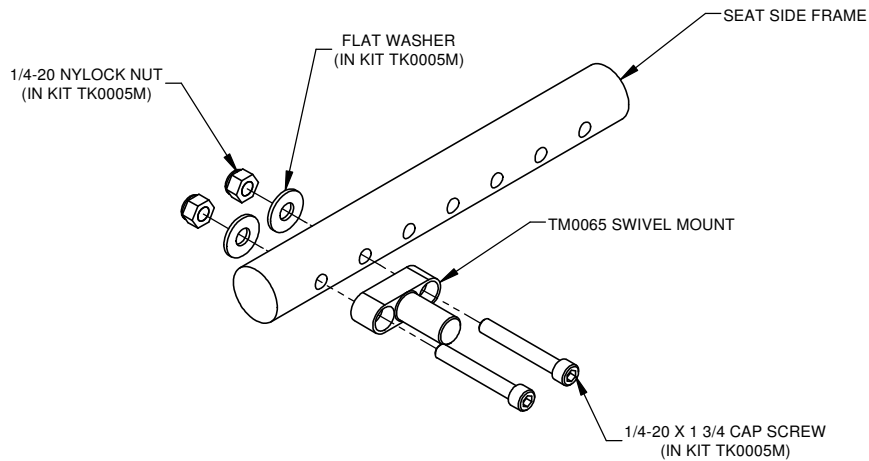


MERITS OR MOTION

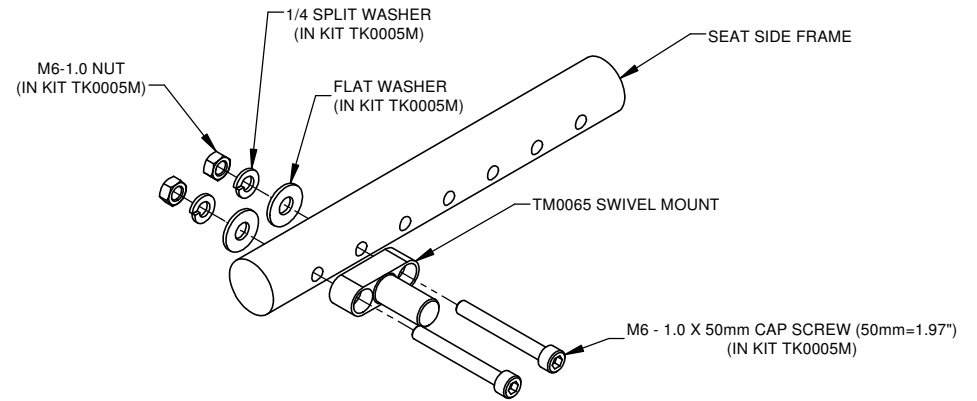
1. SELECT TRACK NUT & CAP SCREWS AS SHOWN FOR SPECIFIC TRACK.
2. INSERT CAP SCREWS INTO SWIVEL MOUNT AS SHOWN.
3. THREAD TRACK NUTS ONTO CAP SCREWS 1 TO 1 1/2 TURNS.
4. SLIDE TRACK NUTS INTO TRACK SLOTS AND POSITION SWIVEL CLAMP AS REQUIRED.
5. TIGHTEN CAP SCREWS TO SECURE SWIVEL MOUNT TO TRACK.

INSTRUCTIONS - SRASF (WITH M6 THREAD TRACK NUTS)

1C. ASSEMBLE & POSITION SWIVEL MOUNT TO SEAT FRAME TUBE.
SEE SHEETS 1 & 2 FOR TRACK MOUNT SEATS.



SEAT FRAMES WITH 1/4" DIAMETER HOLES



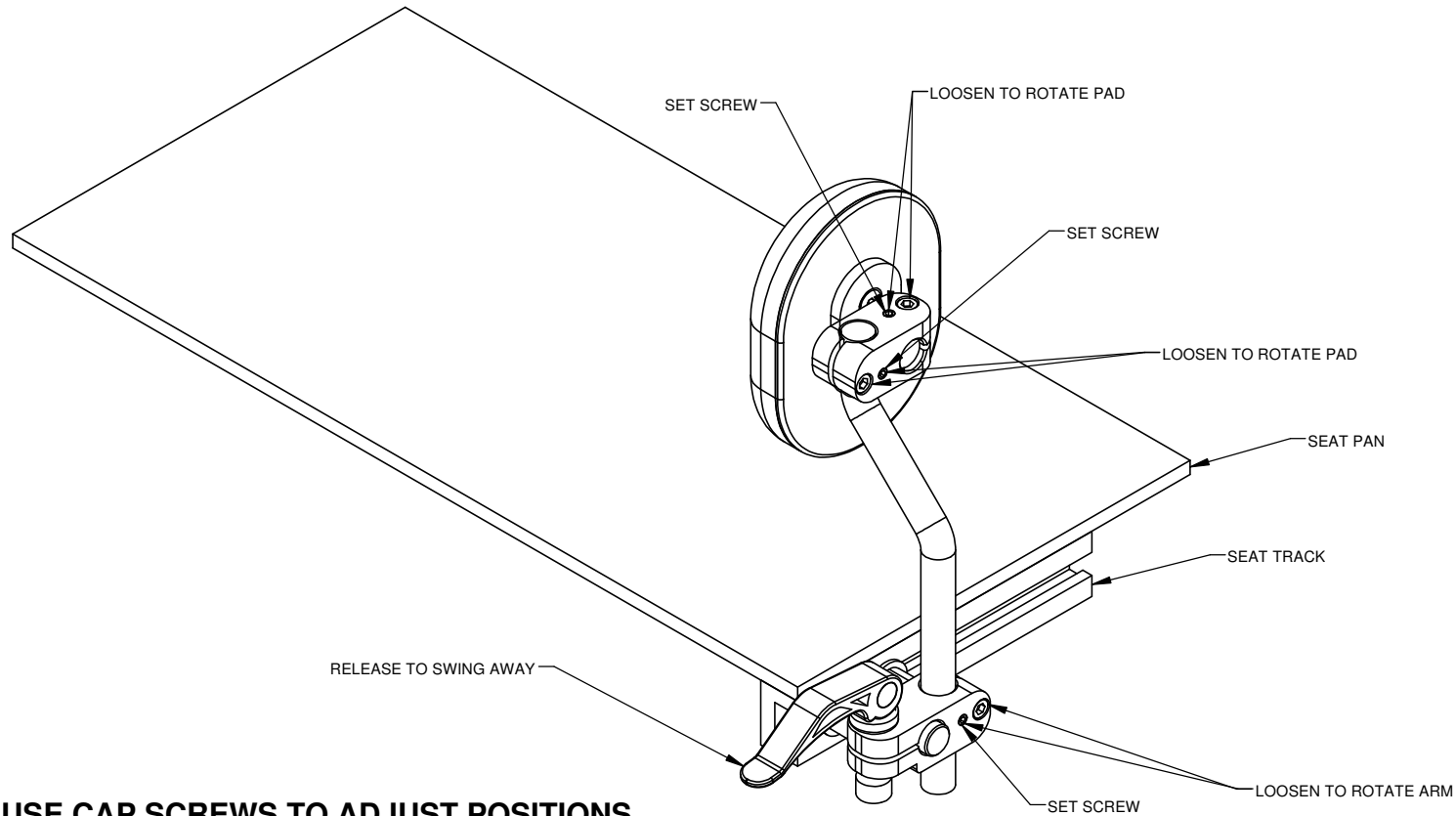
SEAT FRAMES WITH METRIC M6 DIAMETER HOLES

(M6 IS SMALLER THAN 1/4)

1. SELECT FASTENERS AS SHOWN FOR HOLE SIZE IN SEAT FRAME.
2. SELECT POSITION ON SEAT FRAME AND ASSEMBLE AS SHOWN.
3. TIGHTEN CAP SCREWS TO SECURE SWIVEL MOUNT TO SIDE FRAME.

INSTRUCTIONS - SRASF (WITH M6 THREAD TRACK NUTS)

PLACE ADDUCTOR ASSEMBLY ONTO SWIVEL MOUNT
AND ADJUST POSITION.



USE CAP SCREWS TO ADJUST POSITIONS.

TIGHTEN SET SCREWS (3 PLACES) AFTER FINAL
POSITIONS ARE DETERMINED.